

BARREL PUMP

Suitable for transferring liquids from 210 liters barrel



suitable for transferring, Spraying of Lubricating, Rust Proof, Undercoating Fluids (oil, Grease, Wax, Glue etc.)

FEATURES

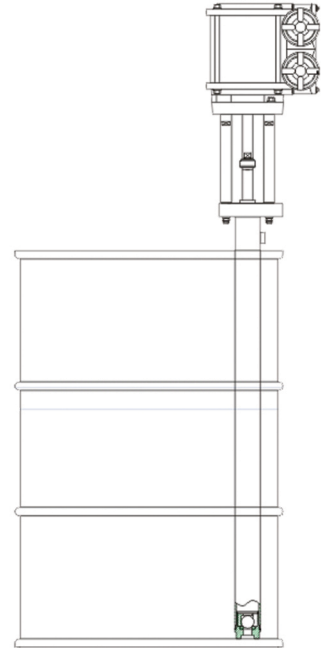
- ◆ Pneumatically sensed high-performance air motor
- ◆ Double-acting pulsation-free output
- ◆ Stainless steel rust-proof hydraulic body
- ◆ Easy maintenance
- ◆ Ice-free air motor technology
- ◆ Light & easy to handle

APPLICATIONS

◆ Fluid & Chemical Transfer

Used for transferring oil, paint, chemicals, and grease directly from barrels.

Specially designed models available for handling Polyol and Isocyanate safely



TECHNICAL SPECIFICATIONS

Pressure ratio	4:1	6:1	12:1	60:1
Discharge per cycle (cc)	230	230	230	230
Air motor piston diameter (mm)	80	100	125	160
Stroke Length (mm)	120	120	120	120
Maximum inlet air pressure (bar)	6	6	6	6
Maximum output pressure @ 6 bar air inlet	24	36	72	360
Air consumption N-LPM @ 15 cycles / minute	127	96	309	506
CFM @ 6 bar @ 15 cycles	4.5	6.7	10.90	17.9



VR Coatings Pvt.Ltd.

Registered Office:
J-138 MIDC,
Bhosari, Pune 411026
Maharashtra,INDIA

☎ +91 98 2291 29 14
✉ sales@vrcoatings.com
🌐 www.vrcoatings.com

